

# Collecting Ideas for a Educational Aircraft Campaign

Brigitte Baeuerle and Frank Flocke (NCAR)

- There are still considerable barriers to young and/or inexperienced investigators to propose an experiment using NSF aircraft because they have no guidance on how to plan an aircraft deployment, how to efficiently use an aircraft, let alone be a mission scientist.
- Currently the pool of PIs leading aircraft campaigns is fairly narrow, largely represented by R1 institutions, not inclusive.
- Even if successful in getting an aircraft proposal funded, lack of know-how in flight planning, instrument preparation, communication with facility providers, pilots, RAF staff has caused some hiccups and frustration.
- Informal “training” or PI support during flight campaigns both during test flights and also for the entire duration of the campaign.

# Collecting Ideas for a Educational Aircraft Campaign

- There have been several successful educational “tag-ons” in existing field laboratories or before and after ground-based or aircraft campaigns funded by NSF.
- We envision a dedicated educational flight campaign/program the primary purpose of which is to teach young/inexperienced investigators what they need to know to lead a field project using NSF aircraft.
- Opportunity to increase diversity and inclusivity in leading field campaigns.
- Deployments would also be used to train students and individual young PIs about the particular requirements to develop and deploy aircraft instrumentation.
- Deployments would provide opportunities for students / classes to be directly involved in mission planning, execution, and data interpretation and university/college faculty to develop and teach specific courses in applied atmospheric sciences.
- Possibility to combine and educational flight program with a new edition of a instrument test program (“ARISTO 2.0”).

# Collecting Ideas for a Educational Aircraft Campaign

COPACABANA (Carbon Oxidation Processes in the Atmosphere: Chemistry of Aromatics, Biogenics, and Alkanes as a Function of NO<sub>x</sub> Availability) is a narrowly focused aircraft campaign with a primary educational component.

The science focus is on the atmospheric lifetime and sequestration pathways of NO<sub>x</sub> as a function of VOC composition and initial NO<sub>x</sub> concentration.

We would fly downwind of a large, continuous NO<sub>x</sub> source in environments that are dominated by **Biogenics**, Aromatics, or Aliphatics

The science can be accomplished with a smaller payload leaving ample room for additional seats for educational purposes.

Flight planning is relatively straightforward and therefore is well suited for teaching inexperienced PIs how to conduct research flights successfully and train students and young investigators around airborne instrumentation

# Collecting Ideas for a Educational Aircraft Campaign

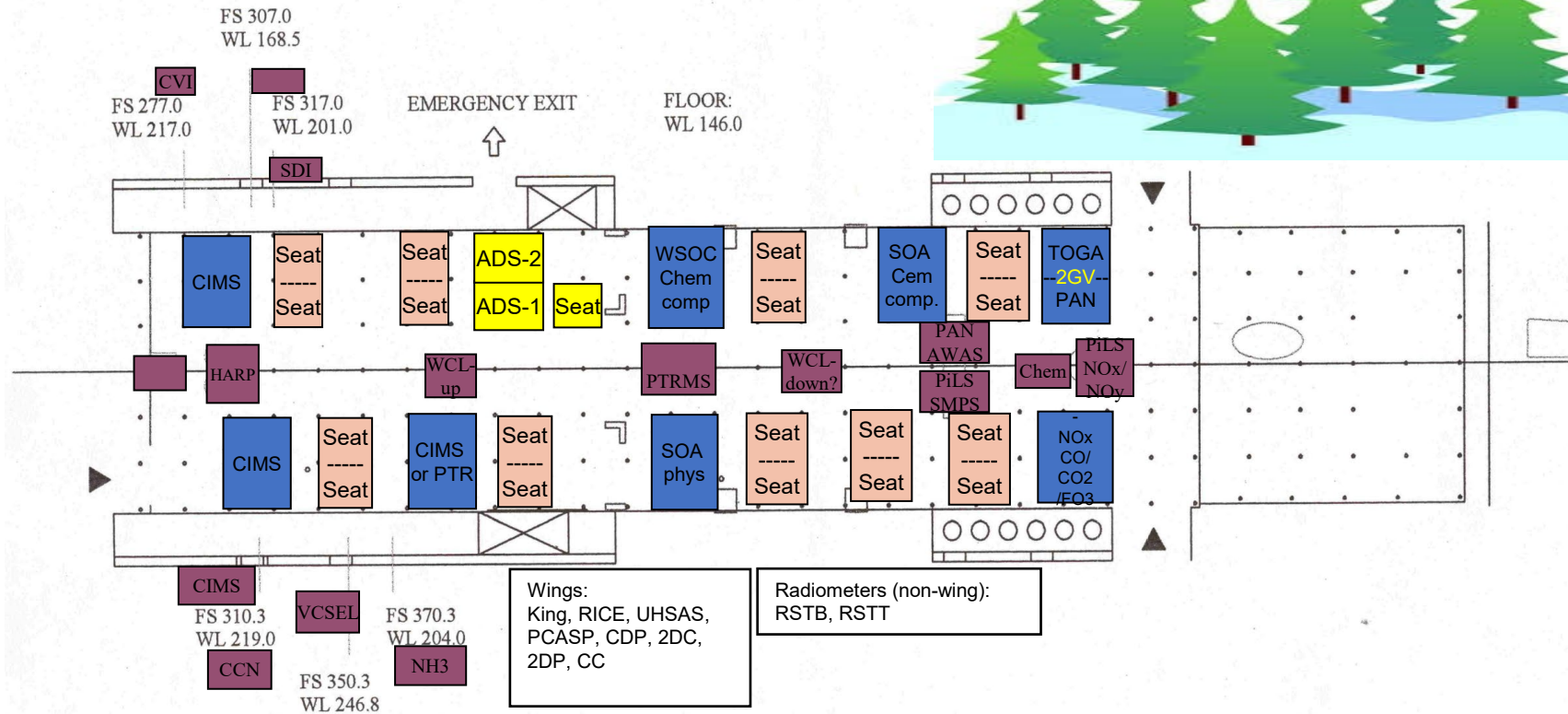
## Science Questions:

- What is the fate of atmospheric NO<sub>x</sub> as a function of initial mixing ratio and VOC composition?
  - How does the fate of NO<sub>x</sub> differ between air masses dominated by biogenic, aromatic, or aliphatic VOCs ?
  - How does the pathway of VOC oxidation change as a function of NO<sub>x</sub> concentration?
  - What is the fraction of recyclable versus non-recyclable oxidized nitrogen (both gas- and particle phase) and how does it depend on air mass composition and NO<sub>x</sub> mixing ratio?
  - What are the expectations for future trends as a result of emission reductions and climate change?

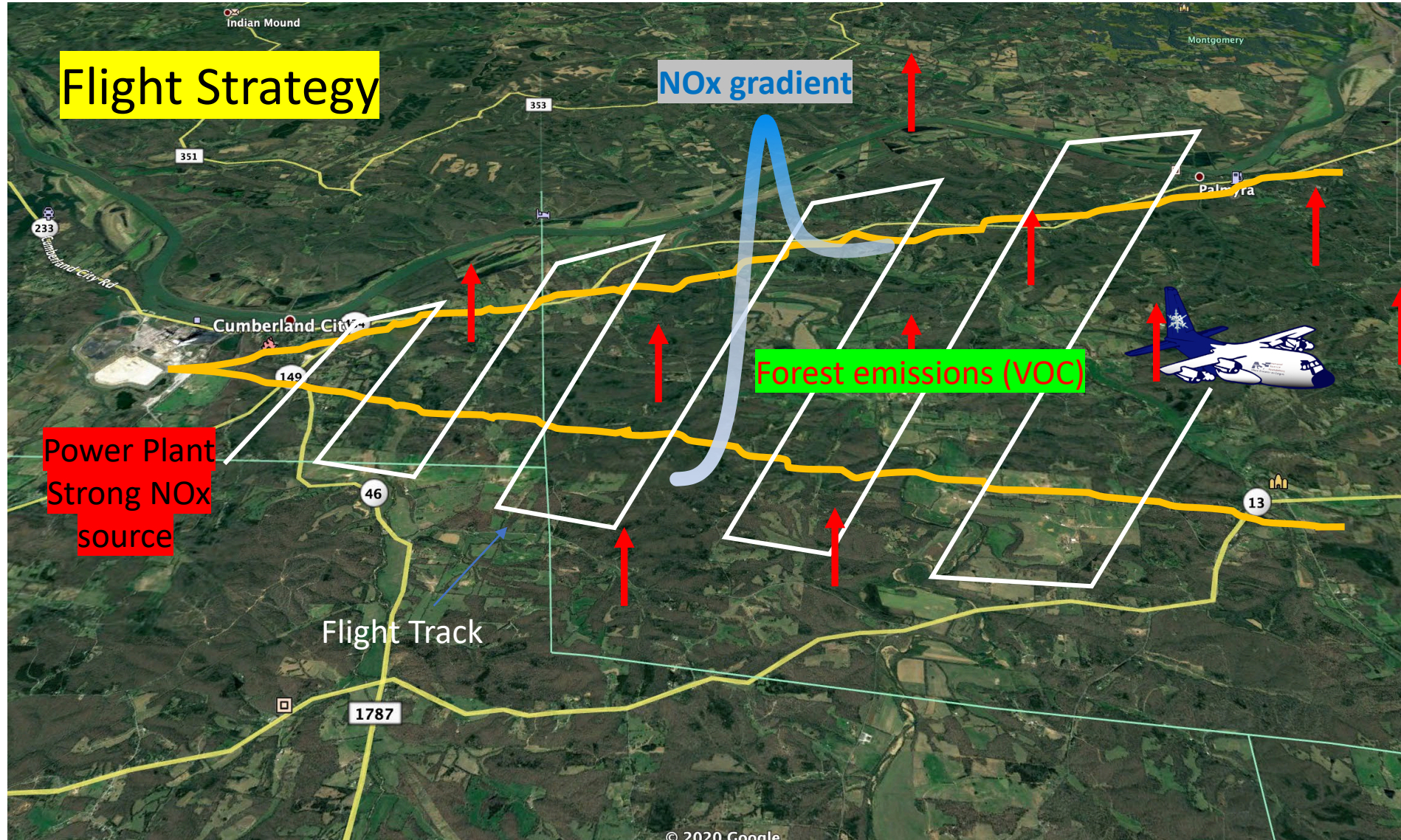
# Collecting Ideas for a Educational Aircraft Campaign

Domestic Deployment(s) on C-130

Carbon-centric photochemistry payload



# Collecting Ideas for a Educational Aircraft Campaign



**BVOC dominated forest downwind of a moderate or strong NOx source**

# Collecting Ideas for a Educational Aircraft Campaign



**Aromatics / Aliphatics dominated VOC source co-located with a strong NO<sub>x</sub> source**

# Collecting Ideas for a Educational Aircraft Campaign

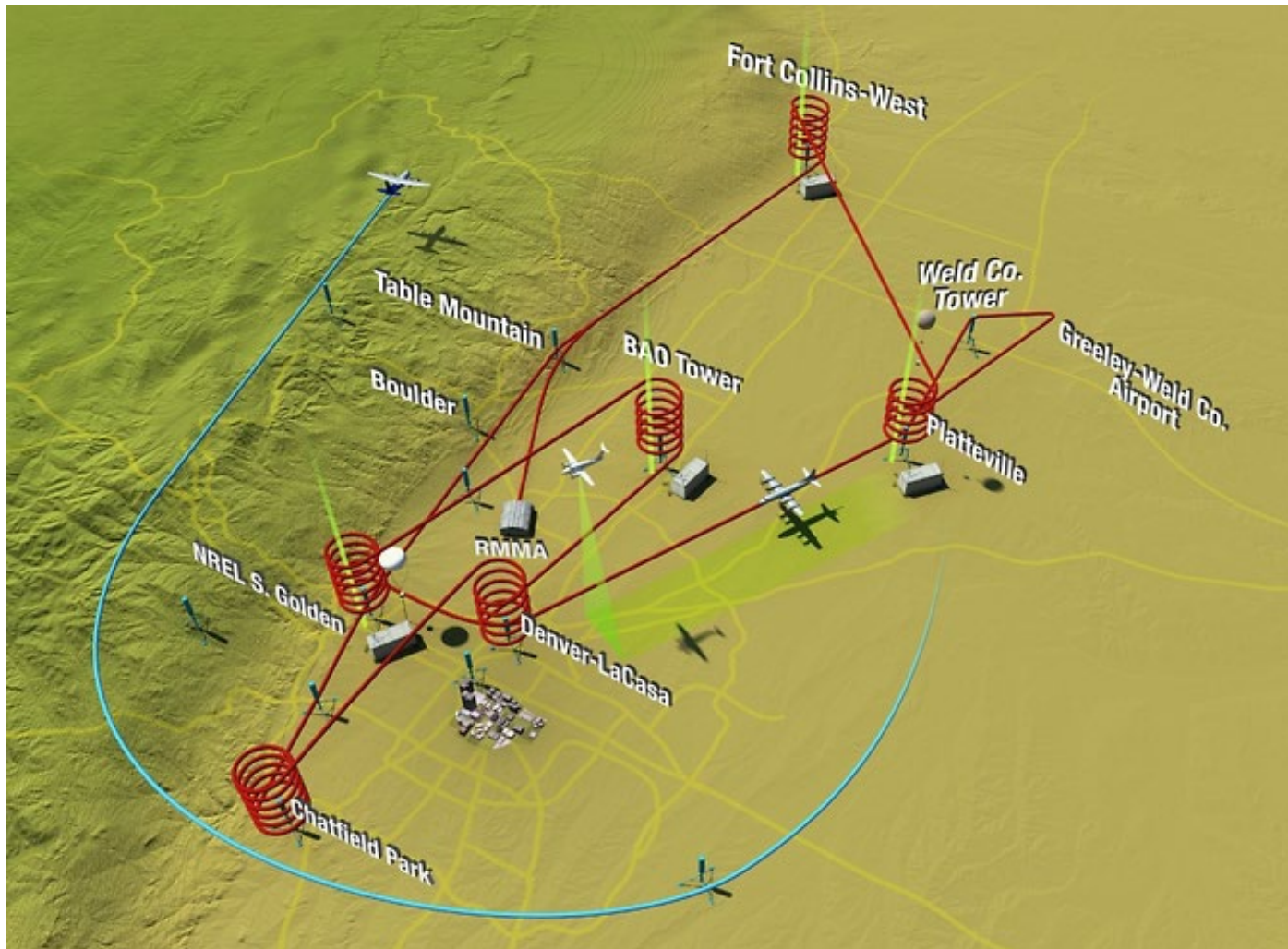


**Aliphatics dominated area downwind of a moderate or strong NO<sub>x</sub> source**



# Collecting Ideas for a Educational Aircraft Campaign

## Atmospheric profiling



## Opportunities

- Meteorological observations
- PBL behavior
- Emission validation
- Ozone deposition
  
- Flux measurements (single altitude ovals)

**PI:** Kelly Chance, Smithsonian Astrophysical Observatory

**Instrument Development:** Ball Aerospace

**Project Management:** NASA LaRC

**Other Institutions:** NASA GSFC, NOAA, EPA, NCAR, Harvard, UC Berkeley, St. Louis U, U Alabama Huntsville, U Nebraska, RT Solutions, Carr Astronautics

**International collaboration:** Mexico, Canada, Cuba, Korea, U.K., ESA, Spain

**Selected Nov. 2012 as NASA's first Earth Venture Instrument**

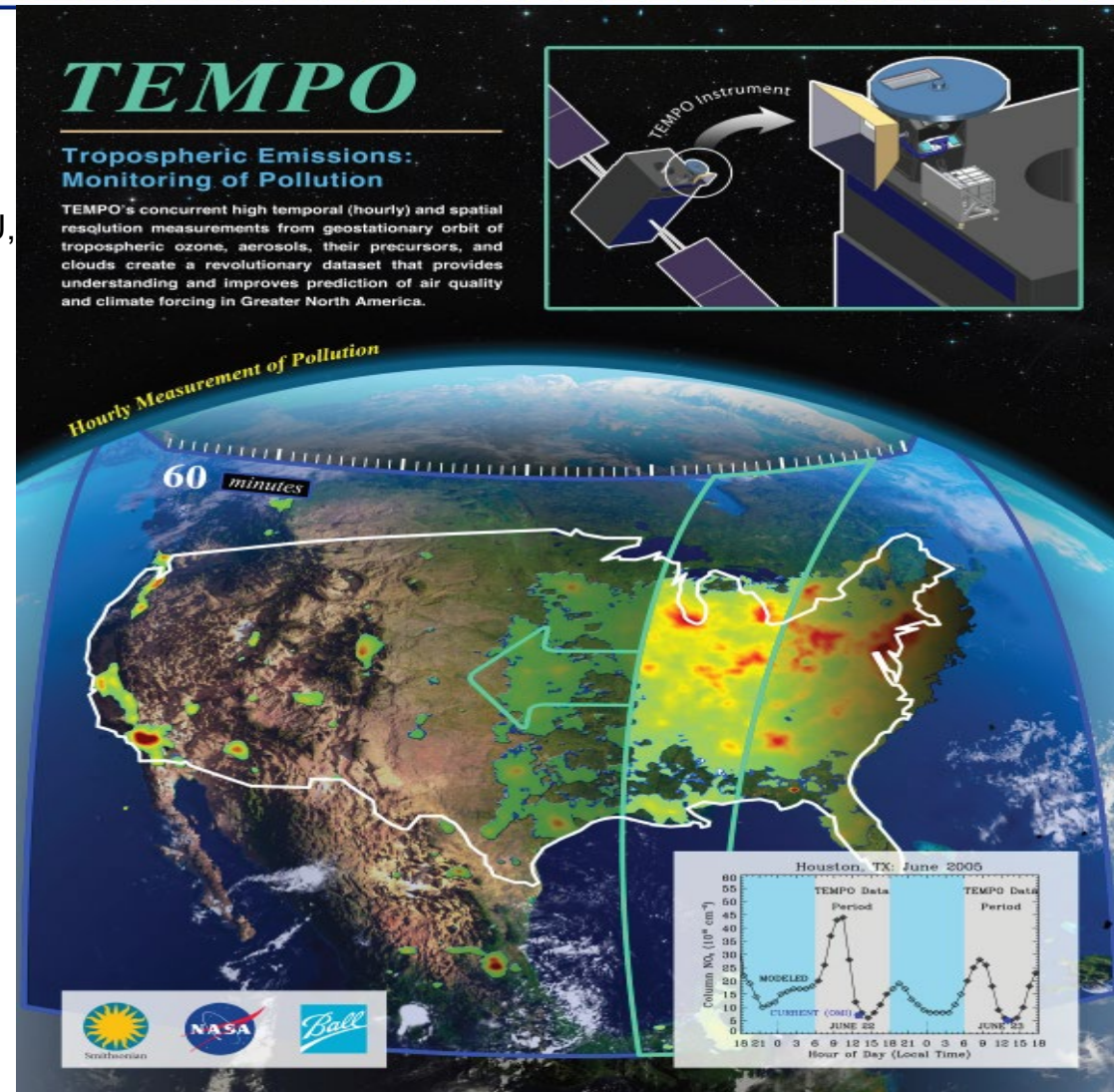
- Instrument delivered and integrated on Intelsat (by Maxar) Nov. 2021
- launch expected March 2023

**Provides hourly daylight observations to capture rapidly varying emissions & chemistry important for air quality**

- UV/visible grating spectrometer to measure key elements in tropospheric ozone and aerosol pollution
- Distinguishes boundary layer from free tropospheric & stratospheric ozone

**Aligned with Earth Science Decadal Survey recommendations**

- Makes many of the GEO-CAPE atmosphere measurements
- Responds to the phased implementation recommendation of GEO-CAPE mission design team



# Collecting Ideas for a Educational Aircraft Campaign



## Primary Target Areas

- USA-LosAngeles
- USA-Atlanta
- USA-Boston
- ESP-Barcelona
- ITA-Rome
- ZAF-Johannesburg
- ISR-TelAviv
- ETH-AddisAbaba
- IND-Delhi
- CHN-Beijing
- TWN-Taipei

## Secondary Target Areas

- USA-Hilo
- PAC-OceanStCu
- USA-SanFrancisco
- USA-Phoenix
- USA-Denver
- MEX-MexicoCity
- CAN-Toronto
- PER-Lima
- CHL-Santiago
- PRI-SanJuan
- BRA-SãoPaulo
- SEN-Dakar
- GHA-Accra
- ATL-OceanStCu
- NGA-Lagos
- ZAF-CapeTown
- SRB-Belgrade
- KEN-Nairobi
- ETH-Harar
- KWT-KuwaitCity
- PAK-Karachi
- IND-Chennai
- BGD-Dhaka
- THA-Bangkok
- VNM-Hanoi
- MNG-Ulaanbaatar
- RUS-Yakutsk
- KOR-Seoul
- AUS-Sydney

## Calibration/Validation Target Areas

- USA-RailroadValley
- MRT-Mauritania1
- NAM-Gobabeb
- LBY-Libya4

## MAIA Primary/Secondary Target Areas

### MAIA Instrument:

- Two spectropolarimetric cameras on a two-axis gimbal
- 14 filters, UV-SWIR
- ~700 km orbit (TBD)
- ~230 m pixel (at nadir)
- 1km data products
- 600 km swath
- 3 days for global coverage

## Many other possibilities

- Cloud chemistry and physics
- Urban PBL dynamics
- Local air pollution and source attribution
- Radiation in polluted environments
- Wildfire influence on urban areas
- Carbon emission measurements
- ...

# Collecting Ideas for a Educational Aircraft Campaign

- Shadowing opportunity for aspiring PIs (Emily Fischer)
  - Tag-on option for funded field programs
  - Start pilot during SLC flight campaign summer '24?
  - Need to develop a selection process depending on level of interest

## Looking for Collaborators

Please contact Brigitte or Frank at

[baeuerle@ucar.edu](mailto:baeuerle@ucar.edu) or [ffl@ucar.edu](mailto:ffl@ucar.edu)